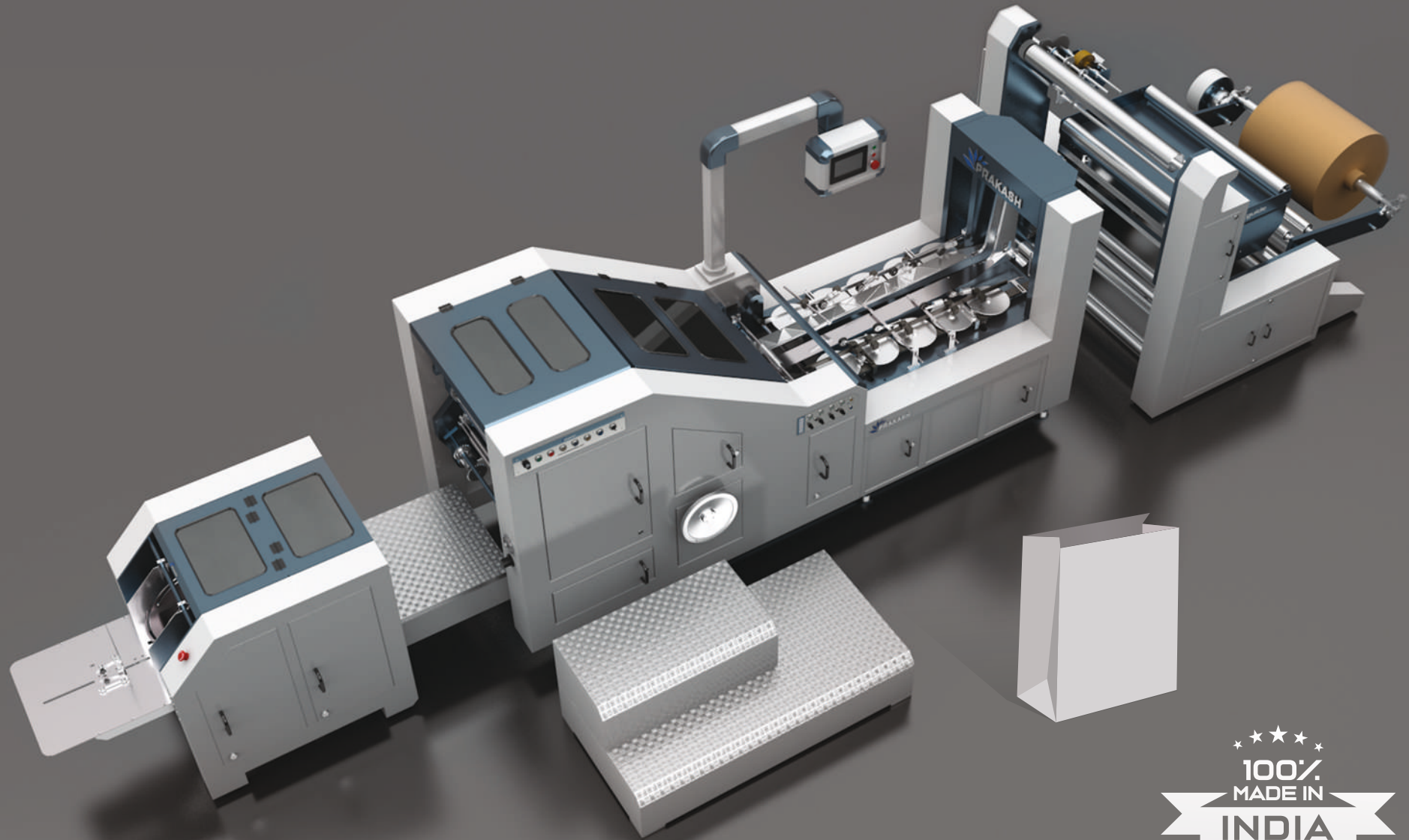


S·PBM360

ROLL FEEDING SQUARE BOTTOM PAPER BAG MAKING MACHINE



★ ★ ★ ★ ★
100%
MADE IN
INDIA



Welcome to Prakash Group of Industries where you can see and judge yourself about the latest development in paper bag technology and quality of the machine. We feel pleasure to introduce ourselves as one the leading manufacturers of paper bag machines in various cut off and sizes in India. You will not only find the broadest product range offered by any one manufacture but also numerous technical highlights which open up new dimensions in the industry. The company is well capable to meet the growing demand of Paper Bag Industry. Prakash established a ultra modern Hi-Tech manufacturing plant and all the components (i.e. Main frames, Shafts, Rubber rollers, Cylinders, Bushes etc.) are built in its own factory by a highly skilled team of engineers using most up to date manufacturing method guaranteeing consistent quality and finish. All of our paper bag machines are built entirely in our in-house state of the art production facilities. From Boring to cylinder grinding our large investment allows us to produce parts that meet the exacting standard required to build a precision paper bag machines. Our promise to you, the customer, is simple "Nothing runs like our Machines".

OUR PRESENCE



New Zealand



USA



Bangladesh



Napal



UAE



Iraq



Portugal



Sri Lanka



Canada



Mexico



Congo



Tanzania



Nigeria



Columbia



Ivory Coast



Egypt



Introduction

Square bottom paper bag making machine has got lot of applications. It can be used to produce shopping bags, grocery bags, food bags, paper bags with handles and stylish bags used for gifts.

This special machine produces the paper bag in one process from printed or unprinted roll paper, side gluing, roll folding, roll paper cutting, bottom folding, bottom gluing forming, bag formation in one go. Machine is controlled by PC programmable servo motor through the human-machine touch screen interface. It can produce variety of specifications' paper bags. It has various advantages such as high production, quick changeover, operator friendly and fully automatic.

TYPE	S-PBM 200`	S-PBM 360	S-PBM 450
Bag Width (W)	80-200 MM	135-360MM	230-450 MM
Bottom Size (H)	50-105 MM	80-200MM	80-200mm
Bag Tube Length (C)	190-370 MM	270-530 MM	270-530 MM
Bag Length (L)	$L = C - (H \div 2 + 15 \sim 25)$	$L = C - (H \div 2 + 15 \sim 25)$	$L = C - (H \div 2 + 15 \sim 25)$
Max. Speed	260 Pcs/Min	200 Pcs/Min	180 Pcs/Min
Paper Thickness	45 -130 GSM	48 -150 GSM	60 -160 GSM
Paper Roll Width	280-630 MM	455-1150 MM	645-1350 MM
Max. Roll Diameter	1200 MM	1200 MM	1200 MM
Reel Inner Diameter	76 MM	76 MM	76 MM
Total Power	7.5 KW	11 KW	11 KW
Roll Shaft	Air Shaft	Air Shaft	Air Shaft
Roll Lifting System	Hydraulic	Hydraulic	Hydraulic
Tension Control System	Close Loop Pneumatic Brake With Load Cell Feedback		
Weight of Machine	6000 KG	8500 KG	9000 KG
Overall Dimension (L x W x H)	6600X1400X1500 MM	9400 x 1900 x 1925 MM	9400 x 2200 x 1925 MM

Options

Paper rope

Single or multicolour Flexographic printing units.

Paper handle making attachment.

Advantages

Easy to use and operator friendly machine, helps in giving high production and maintenance free.

Fully automatic with plc control gives full control over the machine.

Small footprint enables easy stallation and less space requirement.

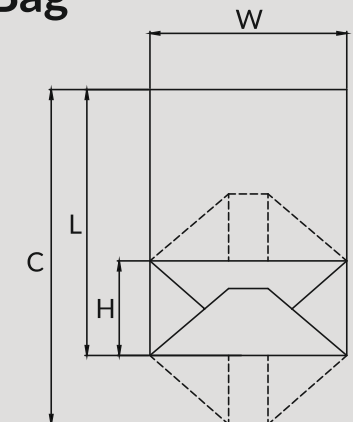
Automatic lubrication system, increases machine life considerably.

Pneumatic reel lifting helps in quick changeover and less labor.

Auto tension control system keeps bag quality and finishing as per the international standards.

Automatic counting system helps in easy collection of finished paper bags and simpler production planning.

Paper Bag



SPBM360



Roll Feeding Square Bottom Paper Bag Making Machine

Note - Machine speeds dependent on paper & adhesive qualities, bag dimensions, operator knowledge, and general work philosophy.



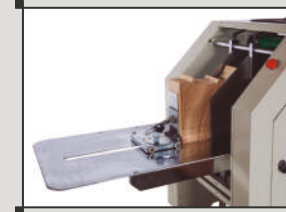
COLOR MARK TRACKING SYSTEM

Precise cut to print is achieved by highly accurate print mark sensor. Machine software easily reads print mark on the paper and cuts the paper bag length as per the mark. This feature helps in maintaining paper bag sizes and repeatability. In printed bags, this feature is quite useful as the printing does not shift during productions.



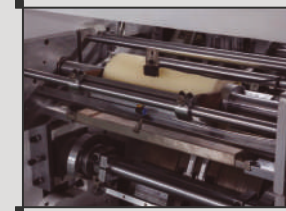
SIMPLISTIC TUBE FORMING SYSTEM

Prakash paper bag machine comes with simple system to adjust tube formation. This greatly helps in varying paper bag sizes and operator freindliness. Tube forming can be adjusted on the go and is fool proof to maintain high production.



AUTOMATIC COUNTING SYSTEM

The machine has automatic counting system. Not only it counts the total bags produced but operator can preset small batch size. As soon as small batch size is reached, one bag is slightly kicked out of the stack, making it quite easy to recognize and collect.



FULLY AUTOMATIC GLUE SUPPLY SYSTEM

Automatic glue supply system is adopted for coating at the bottom. If the amount of glue in the glue tank is insufficient, the glue will be supplied automatically to avoid glue solidification after the machine stops.



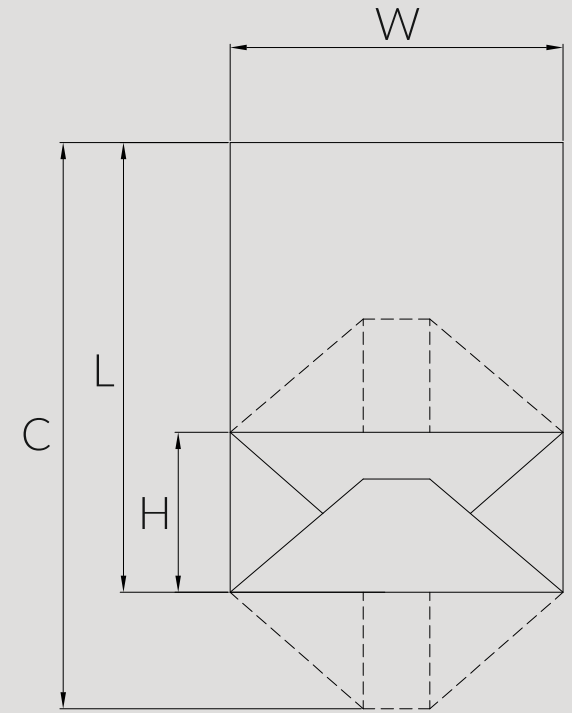
SMALL FOOTPRINT AND COMPACT DESIGN

The compact design of the machine, ensures that the paper travels smoothly. This helps in producing better quality paper bags and with better finishing.



TOUCHSCREEN AND PLC

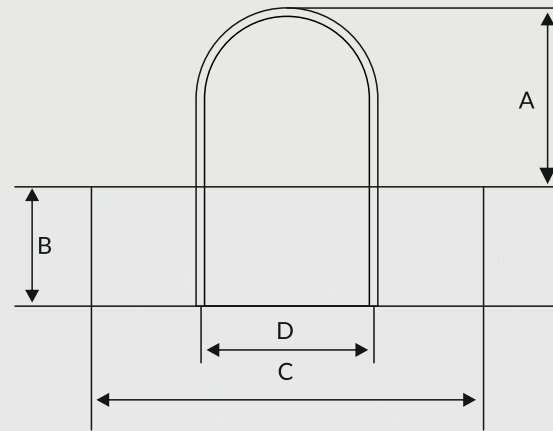
Prakash machine uses highly adaptive touch screen and PC control system. This user friendly GUI shows real time data to the operator, enhancing ease of work. Highly precise



Twisted Rope Handle Making Machine

This machine mainly supports semi-automatic paper bag machines. It can quickly produce paper handles with twisted rope which can be attached onto the paper bag without handles in further production and make it into paper handbags. This machine takes two narrow paper rolls and one paper rope as raw material sticks paper belts and paper rope together which will be cut off gradually to form paper handles. In addition, the machine also has automatic counting and gluing functions which can greatly improve the efficiency of subsequent processing operations of users.

- ✓ Cost Effective
- ✓ Compact Footprint
- ✓ Safe And Easy Operation



Technical parameter

Parameters	Specifications
Rope Height (A)	105-155mm
Patch Width (B)	35-55mm
Patch Length (C)	152/190mm
Rope Spacing (D)	76/95mm
Patch Thickness	100-120 GSM
Paper roll core diameter	76mm
Maximum paper roll diameter	1000mm
Speed	200 pairs / minute
Power	3.5 KW
Glueing System	Hot/Cold
Machine Weight	3000 kgs



TRM2500

Twisted Paper Rope Making Machine

PRAKASH TRM-500 is designed to make twisted paper rope. Twisted paper ropes are widely used to make handles for shopping bags. It's a high speed and high production twisted paper rope manufacturing machine. Fully automatic and



requires less manpower to operate. Paper roll of desired width is put at one end and at the other end re-winded twisted paper rope is made using a fast rotating shaft and keep the twisted rope into roll form. You can make 2 twisted rope rolls in a double station machine.

Technical Parameter

Parameter	TRM-1500	TRM-2500
Station	Single Station	Double Station
Paper roll width	30-100mm	30-100mm
Rope Diameter	2-4mm	2-4mm
Speed	10-30 m/min	10-30 m/min
Coiled Rope roll diameter	400mm	400mm
Coiled Rope roll width	400mm	400mm
Paper thickness	25-60 gsm	25-60 gsm
Weight	250 kgs	500 kgs
Power Consumption	1.1 kw	2 kw
Dimensions (millimeter)	1000x1000x1300	2200x1200x1300

RR700

Paper Rope Rewinding Machine

This machine is mainly supporting twisted paper rope machine. It is applicable to rewind the target paper rope roll, to ensure that the Rope can be applied in further production successfully. This machine take the paper rope roll produced from twisted paper rope machine as the raw material releases the roll on one shaft and twines it on the other shaft on the machine. This machine can not only enlarge the diameter of the paper rope roll, but also eliminate rope knots in the raw paper rope roll, so that the application efficiency of paper rope roll can be greatly improved in further production.

Technical Parameter

Parameters	Specifications
Core diameter of raw rope roll	90mm
Final rope reel diameter	160mm
Core diameter of final rope roll	90-600mm
Max. production speed	200 meters/min
Power requirement	380V, 50 Hz, 3phase
Power	2.2 KW
Weight	Appox. 120 kgs
Dimension	L 1050mm X W 800mm X H 1200mm



SPBM2C360

Bag Making With Inline 2 Colour Printing

SPECIFICATIONS	SPBM 2C 200	SPBM 2C 360	SPBM 2C 450
Number of Colors	2 or 3 or 4	2 or 3 or 4	2 or 3 or 4
Printing Width	650 MM	1110 MM	1260 MM
Drying System	Hot air drying	Hot air drying	Hot air drying
Thickness of Plate	1.7mm	1.7mm	1.7mm
Doctor Blade	As option	As option	As option
Anilox	Metal, ceramic as option	Metal, ceramic as option	Metal, ceramic as option
Total Power	9.5 KW	14 KW	14 KW



PRAKASH WEB OFFSET PVT. LTD.

Plot no. 268,269,270 Sector 58, Faridabad 121004 Haryana, India.
info@prakashoffset.com | www.prakashoffset.com
24X7 Help Line - +91 82875 55666 | 98112 91061