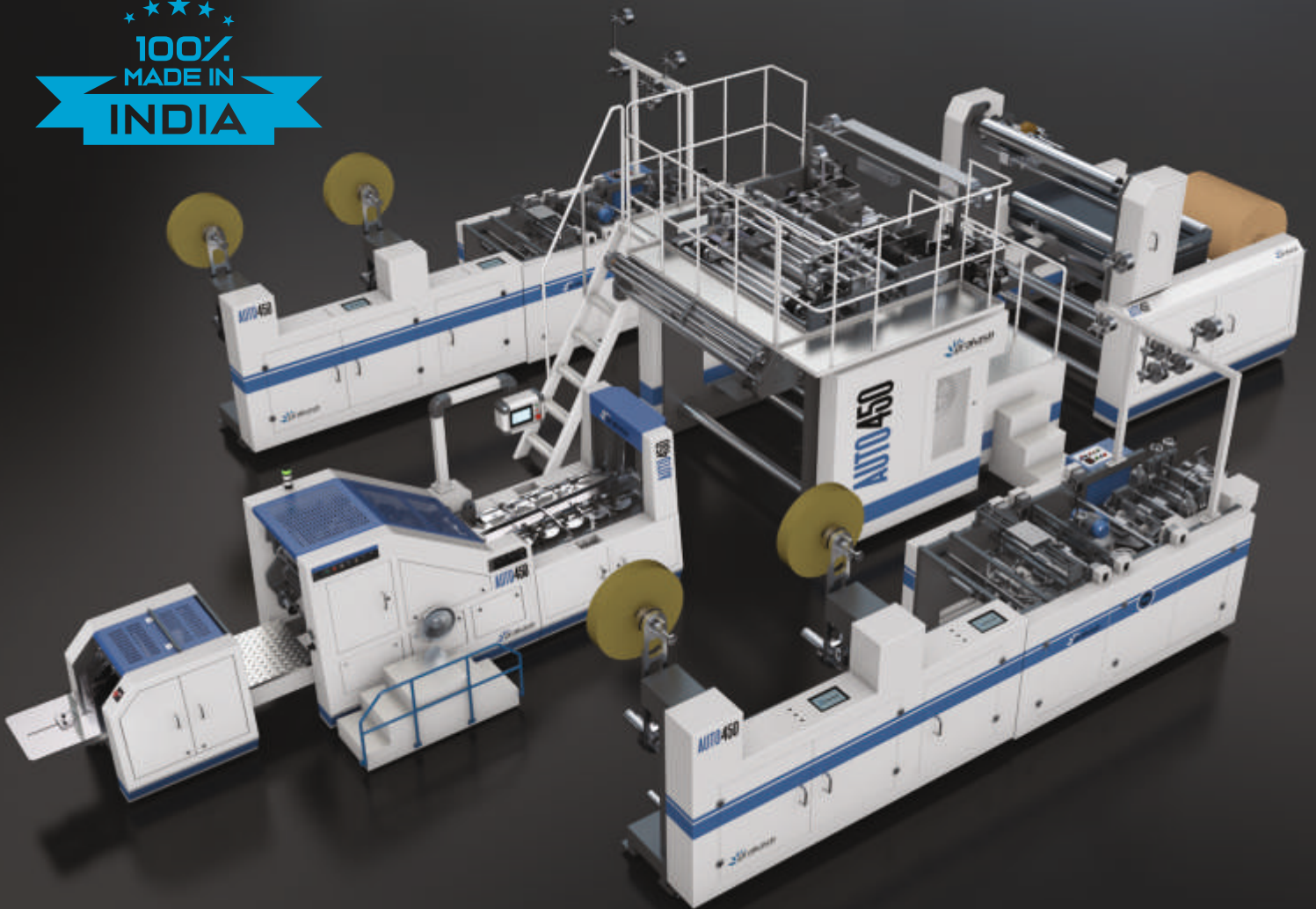


AUTO 450

FULLY AUTOMATIC ROLL FED SQUARE BOTTOM PAPER BAG MAKING MACHINE



AUTO450



NEW REVOLUTIONARY PRODUCT

TWISTED ROPE & FLAT HANDLE IN SAME MACHINE

This is a special machine for the production of shopping bags (block bottom bags) with twisted rope handles or flat belt handles made of paper. The material can be paper roll or printed paper roll. Whole machine is controlled by a computer central control system

with touch screen and servo motor for cut-off length control. It can produce variable size paper bags and paste paper handles inline for complete paper bags ready for market without any manual process. The machine automatically feeds

paper from roll, tube forming, cut-off, bottom forming, bottom glue, bag forming and final bag output. All steps are completed in-line; This machine is ideal equipment for Twisted or Flat handle square bottom paper bags.

FEATURES

Dual mould technology

Hot & cold glueing option

Full servo control, plc, & touchscreen

Automatic tension control & web guide

Fully internet enabled

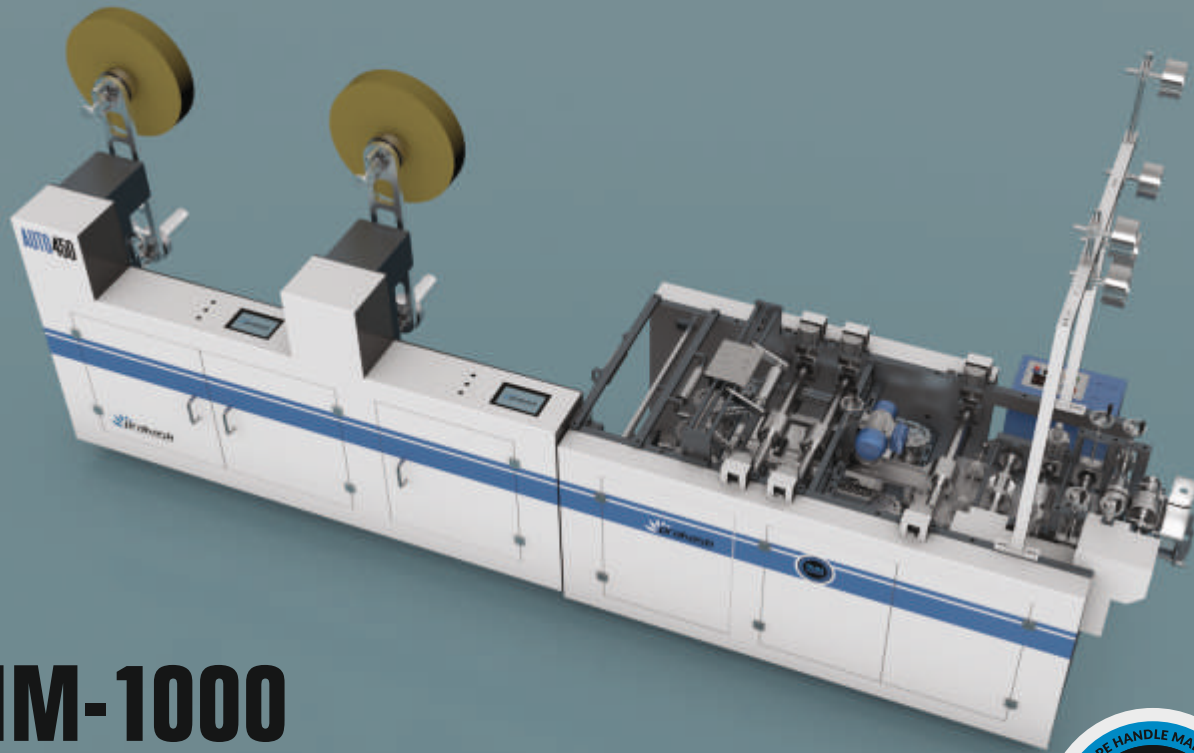


Production management system

Colour mark tracking system

Technical Parameter

Model	Auto-360	Auto-450	Auto-550
Paper Roll width	460-1110mm	650-1330mm	670-1670mm
Paper Bag Width	135/180-360 mm	230-450 mm	240-550 mm
Bottom Size	80-180 mm	80-200 mm	80-280 mm
Bag Cutting Length	270-530mm With handle height	270-630mm With handle height	380-780mm With handle height
Thickness of Paper	65-150gsm	65-150gsm	90-150gsm
Handle Height	90-120 mm	90-120 mm	90-120 mm
Diameter of Core	76mm	76mm	76mm
Length of twisted rope (customizable)	145-165 mm	155-175 mm	155-175 mm
Diameter of Twisted Rope	3-6 mm	3-6 mm	3-6 mm
Handle Patch Length	150 mm	190mm	190mm
Handle Patch Width	35-50 mm	35-50 mm	35-50 mm
Handle patch Roll Diameter	1000 mm	1000 mm	1000 mm
Paper Patch Roll Width	70-100 mm	70-100 mm	70-100 mm
Paper GSM for Handle patch	80-150gsm	80-150gsm	80-150gsm
Max. Speed	100-150 Bags/min	100-150 Bags/min	100-150 Bags/min
Power	30 KW	33 KW	42 KW
Weight	18000 KG	19000 KG	23000 KG
Machine Dimension (L*W*H)	13500 x 5700 x 2500	14500 x 5800 x 2500	15500 x 6200 x 2500



RHM-1000



High Speed Twisted Rope Handle Making Machine

This machine mainly supports semi-automatic paper bag machines. It can quickly produce paper handles with twisted rope which can be attached onto the paper bag without handles in further production and make it into paper handbags. This machine takes two narrow paper rolls and one paper rope as raw material sticks paper belts and paper rope together which will be cut off gradually to form paper handles. In addition, the machine also has automatic counting and gluing functions which can greatly improve the efficiency of subsequent processing operations of users.

Technical Parameter

PARAMETERS	SPECIFICATIONS		
Rope Height (A)	105-155mm	Speed	200 pairs / minute
Patch Width (B)	35-55mm	Power	3.5 KW
Patch Length (C)	152/190mm	Glueing System	Hot/Cold
Rope Spacing (D)	76/95mm	Machine Weight	3000 kgs
Maximum paper roll diameter	1000mm	Patch Thickness	100-120 GSM
Paper roll core diameter	76mm		



TRM2500

Twisted Paper Rope Making Machine

Prakash TRM-500 is designed to make twisted paper rope. Twisted paper ropes are widely used to make handles for shopping bags. It's a high speed and high production twisted paper rope manufacturing machine.

Fully automatic and requires less manpower to operate. Paper roll of desired width is put at one end and at the other end re-winded twisted paper rope is made using a fast rotating shaft and keep the twisted rope into roll form. You can make 2 twisted rope rolls in a double station machine.

Technical Parameter

PARAMETERS	TRM-1500	TRM-2500
Station	Single Station	Double Station
Paper roll width	30-100mm	30-100mm
Rope Diameter	2-4mm	2-4mm
Speed	10-30 m/min	10-30 m/min
Coiled Rope roll diameter	400mm	400mm
Coiled Rope roll width	400mm	400mm
Paper thickness	25-60 gsm	25-60 gsm
Weight	250 kgs	500 kgs
Power Consumption	1.1 kw	2 kw
Dimensions	1000x1000x1300	2200x1200x1300mm



RR700

High Speed Twisted Rope Handle Making Machine

Technical Parameter

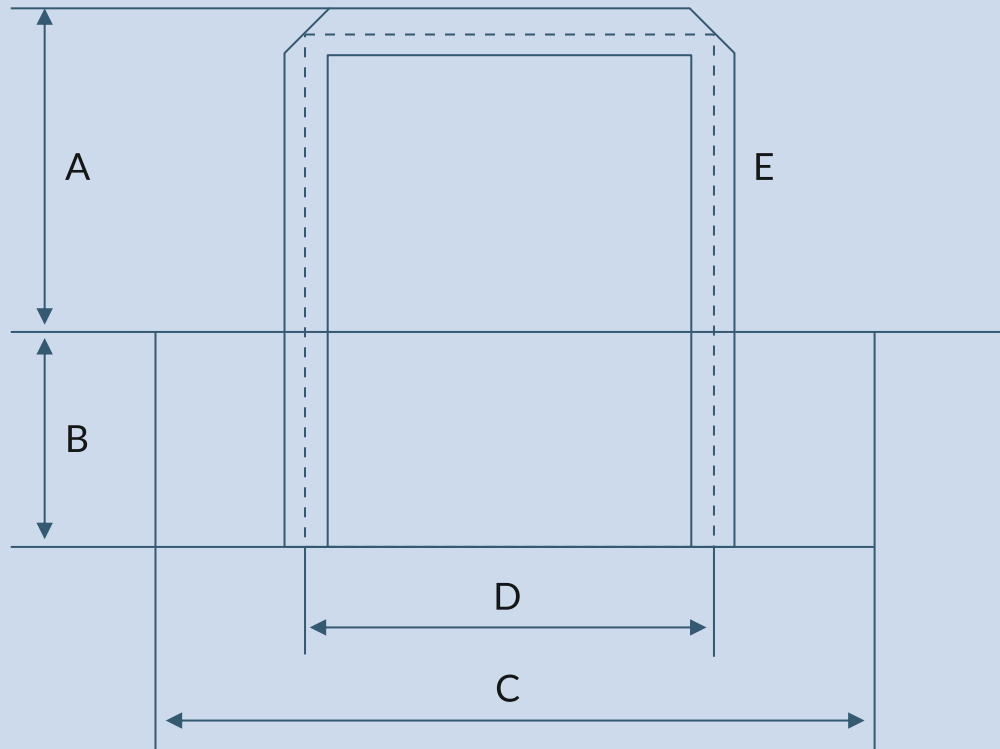
PARAMETERS	RR700
Core diameter of raw rope roll	90mm
Core diameter of final rope roll	160mm
Final rope reel diameter	90-600mm
Max. production speed	200 meters/min
Power requirement	380V, 50 Hz, 3phase
Power	2.2 KW
Weight	Appox. 120 kgs

This machine is mainly supporting twisted paper rope machine. It is applicable to rewind the target paper rope roll, to ensure that the Rope can be applied in further production successfully. This machine take the paper rope roll produced from twisted paper rope machine as the raw material releases the roll on one shaft and twines it on the other shaft on the machine. This machine can not only enlarge the diameter of the paper rope roll, but also eliminate rope knots in the raw paper rope roll, so that the application efficiency of paper rope roll can be greatly improved in further production

DIMENSION

L 1050MM X W 800MM X H 1200MM

FHM-1000



FLAT BELT PAPER HANDLE MAKING MACHINE

1	Handle length (A)	105mm
2	Handle Patch width (B)	35-55mm
3	Flat Patch length (C)	190- 204mm
4	Flat Rope Spacing (D)	96mm
5	Paper GSM	100-120g/m ²
6	Flat Rope Width (E)	15-18mm
7	Maximum Speed	100-150 pairs per minute
8	Total Power (kw)	8KW
9	Machine Weight (Ton)	4 T
10	Machine Dimension (L*W*H)	5000*1800*1800mm
11	Paper Roll Core Diameter	76mm



PRAKASH WEB OFFSET PVT. LTD.

Plot no. 268,269,270 Sector 58, Faridabad 121004 Haryana, India.

info@prakashoffset.com | www.prakashoffset.com

24X7 Help Line - +91 82875 55666 | 95997 55114